

Seatmann.

**FLEXIPRO
SERIES**

GAS
SPRING
MONITOR
ARMS



1 VESA Plate with Keyhole Slots
for easy installation and removal

2 Cable Management
helps to keep a tidy look

3 Built-In Spring Tension Mechanism
ensures perfect balance and adjustment experience



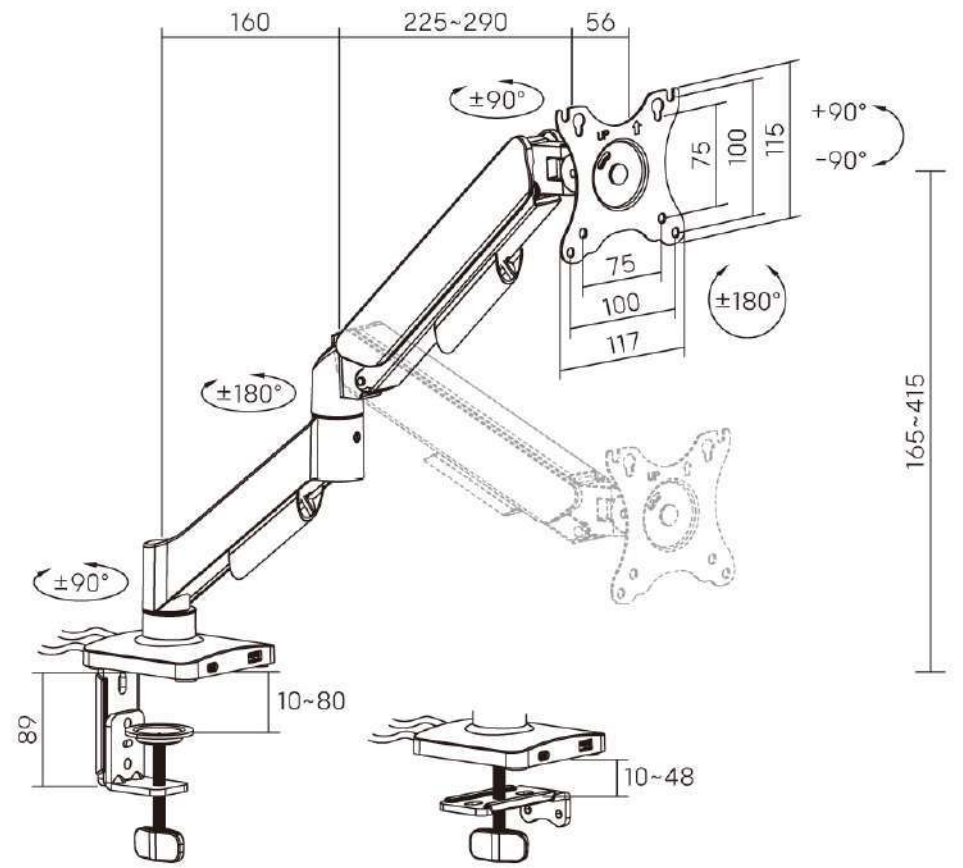
4 Quick-Release Joint
for a compact package and easy assembly

5 Smart Base with USB-A & USB-C Ports (Models with UC)
for handy charging and data transfer

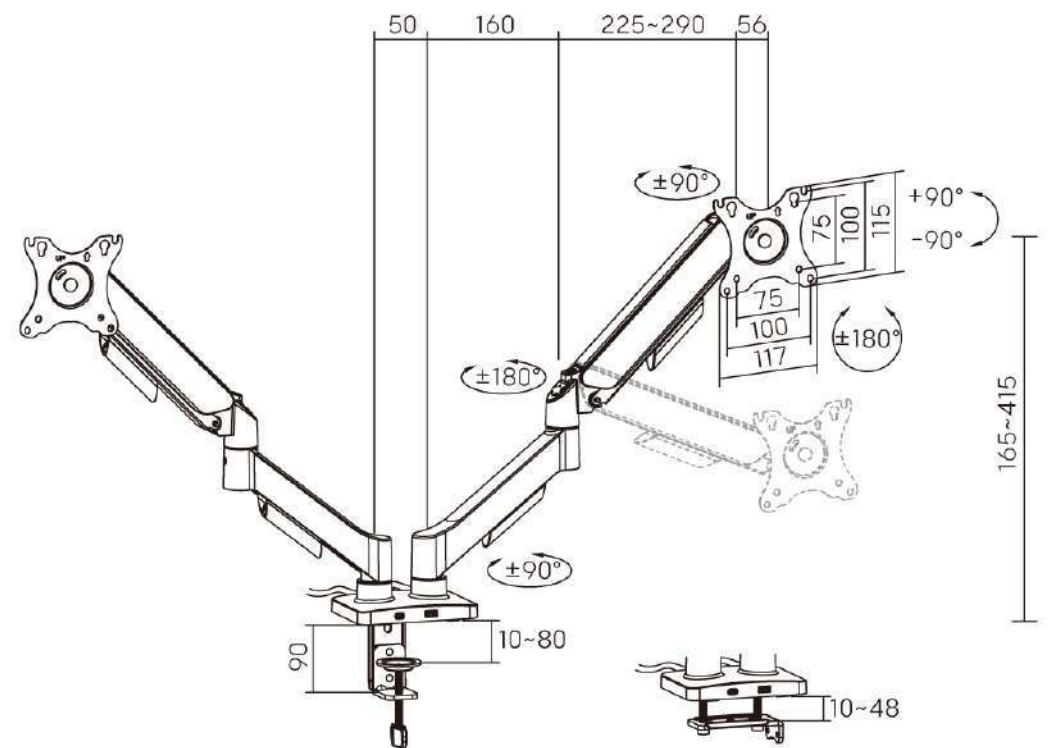
Clamp

Grommet

SINGLE ARM



DUAL ARM



Item No.	
Fit Screen Size	17"-32"
Weight Capacity (per screen)	2~9kg (4.4lbs~19.8lbs)
Tilt Range	+90°~-90°
Swivel Range	+90°~-90°
Screen Rotation	+180°~-180°
Material	Steel, Plastic

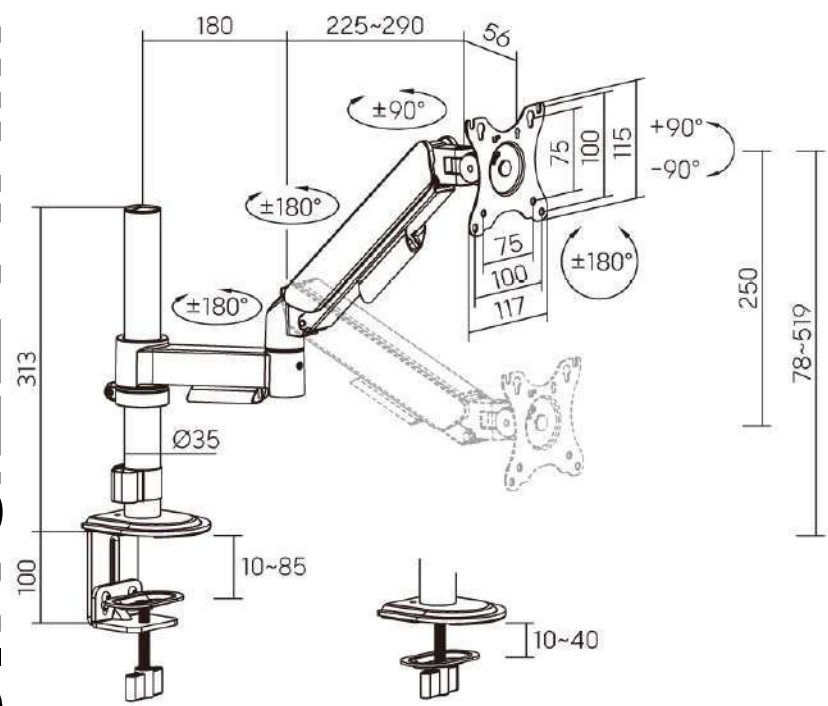


Freely Adjusting Height
for an optimal ergonomic position

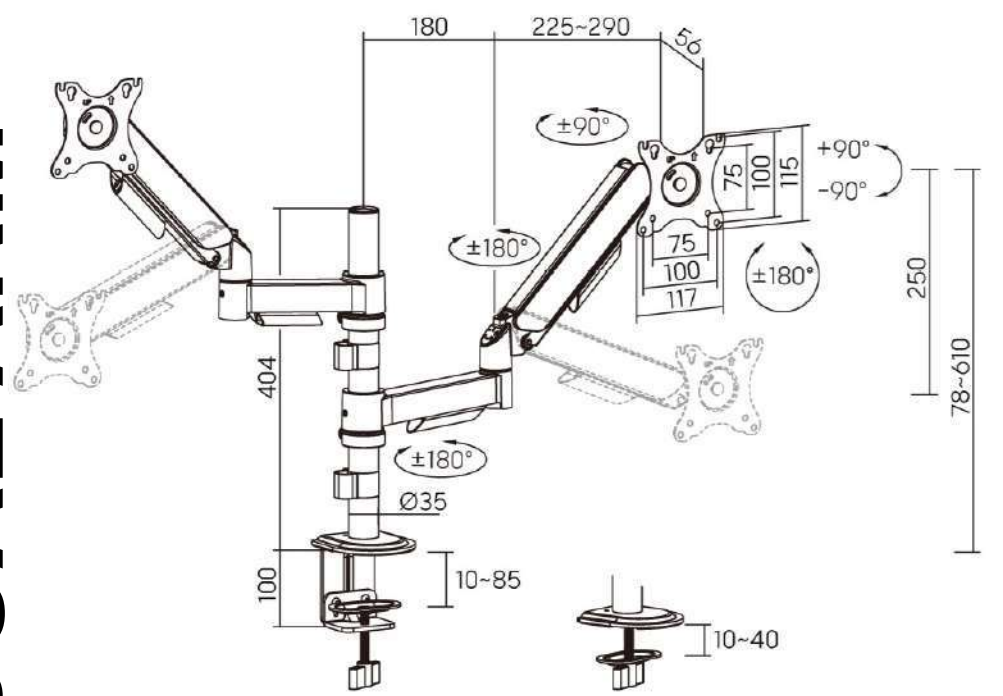
Dimensions (mm)

POLE BASED

SINGLE ARM



DUAL ARM



Item No.	
Fit Screen Size	17"-32"
Weight Capacity (per screen)	2~9kg (4.4lbs~19.8lbs)
Tilt Range	+90°~-90°
Swivel Range	+90°~-90°
Screen Rotation	+180°~-180°
Material	Steel, Plastic



Seatmann.

NDR Towers, 3rd Floor, 5M-675/A,
OMBR Layout, 5th Main,
B-Channasandra, Bangalore-43.
www.seatmann.com
ramesh@seatmann.com
+91 9901710851